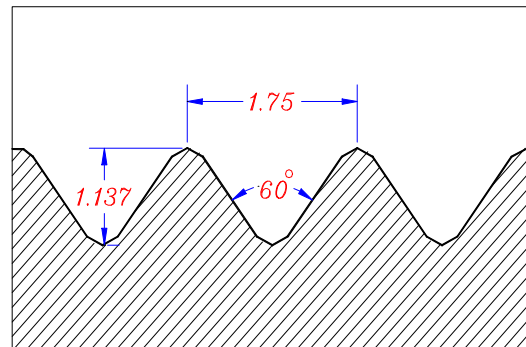
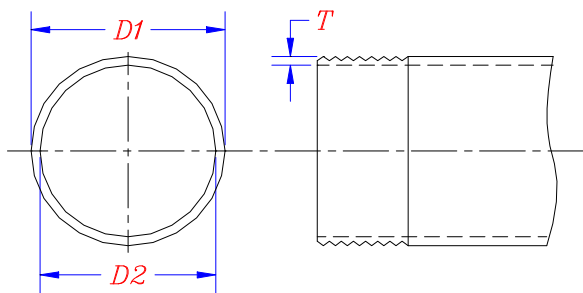
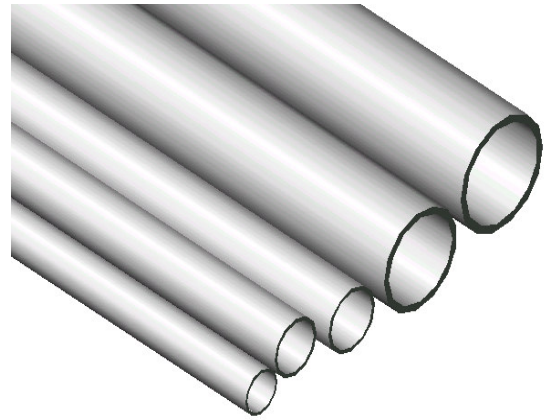


1 - EMT& ACCESSORIS

EMECCO electro metallic tube conforms to NEC article (348).

1.1 - Electric Metallic Tube

| | |
|----------------|---|
| MATERIAL | Carbon steel 37 |
| FINISH | Electro plated |
| TECHNICAL DATA | <ul style="list-style-type: none"> ➤ Stander lengthh 3000mm ➤ Outer surface is protected by zinc Coating (electro plated) 20µm according to NEC(348-15) ➤ Inner surface protected against Corrosion by painting. |



Threading Specification

| CODE | Trade Size | Outer Diameter (D1) | Inner Diameter (D2) | Wall Thickness (T) | Weight Kg/mt |
|-------------|------------|---------------------|---------------------|--------------------|--------------|
| B2EMTSP19-3 | 19 | 19 | 16 | 1.5 | 0.6 |
| B2EMTSP25-3 | 25 | 25 | 22 | 1.5 | 0.73 |
| B2EMTSP32-3 | 32 | 32 | 29 | 1.5 | 1 |
| B2EMTSP38-3 | 38 | 38 | 35 | 1.5 | 1.3 |
| B2EMTSP50-3 | 50 | 50 | 46 | 2 | 2.25 |

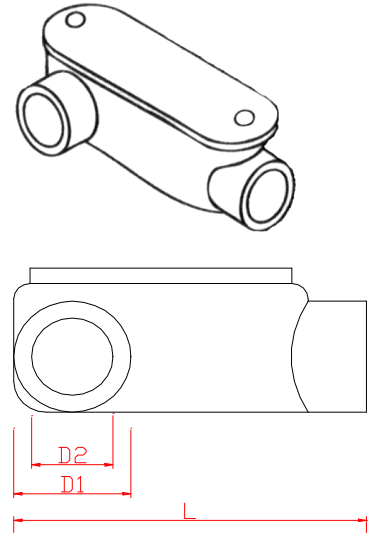


1.2- Fittings

• Aluminum L- Joint

| | |
|----------|---|
| MATERIAL | Aluminum. |
| FINISH | ➤ Electro plated conforms to NEC (348-15) |

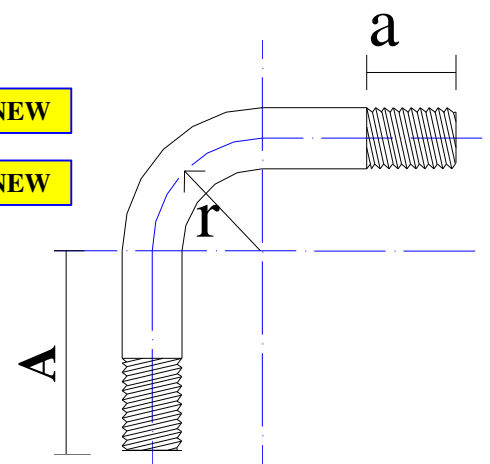
| Code | Trade Size | Outer Diameter (D1) | Inner Diameter (D2) | Length (L) |
|------------|------------|---------------------|---------------------|------------|
| B2JALPLL19 | 19 | 27 | 19 | 117 |
| B2JALPLR19 | 19 | 27 | 19 | 117 |
| B2JALPLL25 | 25 | 32 | 25 | 117 |
| B2JALPLR25 | 25 | 32 | 25 | 117 |



• EMT ELBOWS 90°, 45°

| | |
|----------------|--|
| Material | Carbon steel 37 |
| Finish | ➤ Electro plated conforms to NEC(348-15) |
| TECHNICAL DATA | ➤ Radius of conduit bends conforms to NEC(348-9) |

| code | Trade Size | (A) | (a) | (R) |
|------------|------------|-----|-----|-----|
| B2EMTELS19 | 19 | 60 | 15 | 132 |
| B2EMTELS25 | 25 | 63 | 20 | 171 |
| B2EMTELS32 | 32 | 77 | 25 | 216 |
| B2EMTELS38 | 38 | 90 | 25 | 235 |
| B2EMTELS50 | 50 | 100 | 25 | 260 |

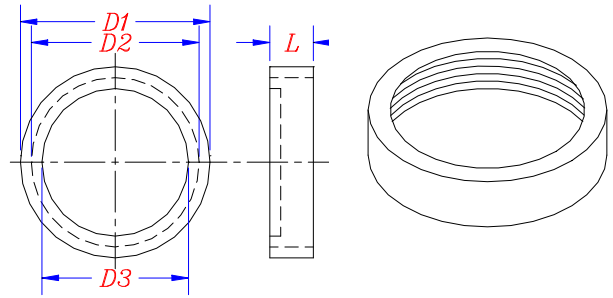


All dimension in charts and drawing are in millimeters

• **Bushing**

| | |
|----------|--|
| MATERIAL | Brass |
| FINISH | ➤ Electro plated conforms to NEC(348-15) |

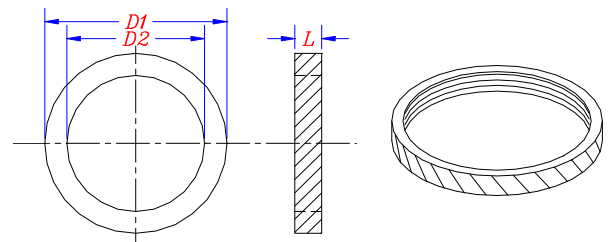
| Code | Trade size | D1 | D2 | D3 | L |
|---------|------------|----|----|----|----|
| B2BBP19 | 19 | 22 | 19 | 14 | 7 |
| B2BBP25 | 25 | 29 | 25 | 19 | 8 |
| B2BBP32 | 32 | 35 | 32 | 27 | 8 |
| B2BBP38 | 38 | 40 | 38 | 30 | 10 |
| B2BBP50 | 50 | 54 | 50 | 44 | 12 |



• **Circular lock nut**

| | |
|----------|---|
| MATERIAL | Brass |
| FINISH | ➤ Electro plated conforms to NEC (348-15) |

| Code | Trade size | D1 | D2 | L |
|-----------|------------|----|----|---|
| B2LNBPC19 | 19 | 26 | 19 | 5 |
| B2LNBPC25 | 25 | 32 | 25 | 5 |
| B2LNBPC32 | 32 | 41 | 32 | 6 |
| B2LNBPC38 | 38 | 47 | 38 | 6 |
| B2LNBPC50 | 50 | 60 | 50 | 7 |

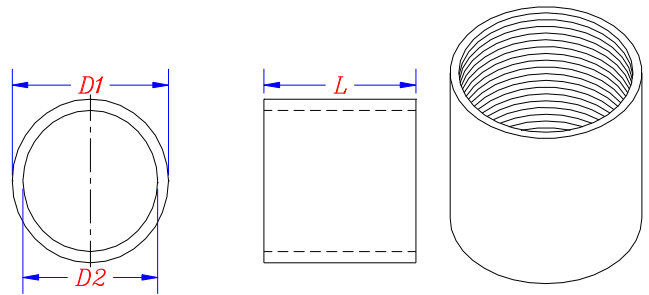




Rigid Coupling

| | |
|----------|--|
| Material | Carbon steel 37 |
| FINISH | ➤ Electro plated conforms to NEC(348-15) |

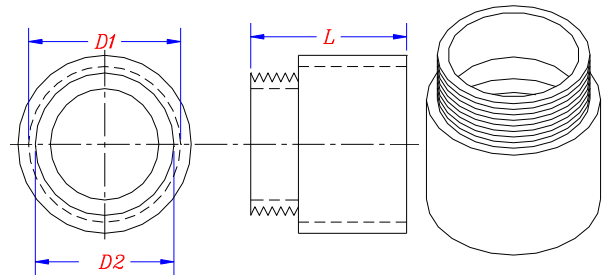
| Code | Trade size | D1 | D2 | L |
|----------|------------|----|----|----|
| B2CPSP19 | 19 | 22 | 19 | 24 |
| B2CPSP25 | 25 | 28 | 25 | 36 |
| B2CPSP32 | 32 | 36 | 32 | 38 |
| B2CPSP38 | 38 | 42 | 38 | 43 |
| B2CPSP50 | 50 | 55 | 50 | 43 |



• Flexible coupling

| | |
|----------|--|
| Material | Carbon steel 37 |
| FINISH | ➤ Electro plated conforms to NEC(348-15) |

| Code | Trade size | D1 | D2 | L |
|------------|------------|----|----|----|
| B2FCPSPM19 | 19 | 22 | 19 | 29 |
| B2FCPSPM25 | 25 | 29 | 25 | 33 |
| B2FCPSPM32 | 32 | 36 | 32 | 36 |
| B2FCPSPM38 | 38 | 44 | 38 | 40 |
| B2FCPSPM50 | 50 | 55 | 50 | 52 |

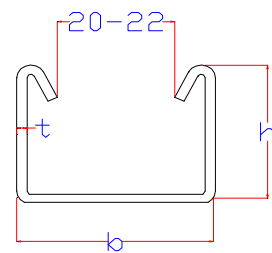


1.3- Support

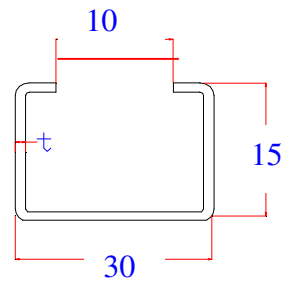
• C- channels

| | |
|----------------|---|
| Material | Carbon steel 37 |
| Finish | ➤ H.D.G.A.F (ASTM 123) ➤ Pregalvaniz |
| Technical data | ➤ Stander length 2 &3 m |

| Code | Trade size (bXhXt) | Finsh |
|------------|--------------------|-------------|
| B2CHSHC101 | 40*20*1 | H.D.G.A.F |
| B2CHSHC102 | 40*20*1.5 | H.D.G.A.F |
| B2CHSHC103 | 40*20*2 | H.D.G.A.F |
| B2CHSPC104 | 40*20*1 | Pregalvaniz |
| B2CHSPC105 | 40*20*1.5 | Pregalvaniz |
| B2CHSPC106 | 40*20*2 | Pregalvaniz |
| B2CHSHC107 | 30*15*1 | H.D.G.A.F |
| B2CHSHC108 | 30*15*1.5 | H.D.G.A.F |
| B2CHSHC109 | 30*15*2 | H.D.G.A.F |
| B2CHSPC110 | 30*15*1 | Pregalvaniz |
| B2CHSPC111 | 30*15*1.5 | Pregalvaniz |
| B2CHSPC112 | 30*15*2 | Pregalvaniz |
| B2CHSHC113 | 40*40*1 | H.D.G.A.F |
| B2CHSHC114 | 40*40*1.5 | H.D.G.A.F |
| B2CHSHC115 | 40*40*2 | H.D.G.A.F |
| B2CHSPC116 | 40*40*1 | Pregalvaniz |
| B2CHSPC117 | 40*40*1.5 | Pregalvaniz |
| B2CHSPC118 | 40*40*2 | Pregalvaniz |



For size (40*40) & (40*20)

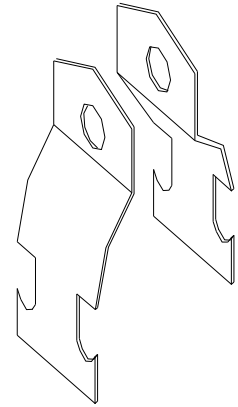


For size (30*15)

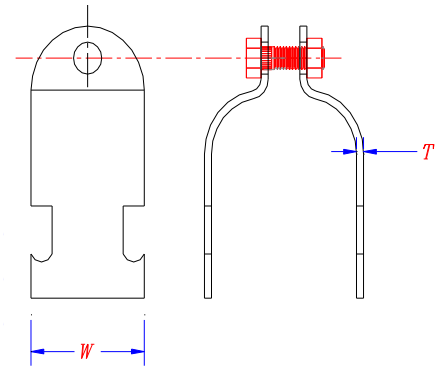


Hanger Saddle

| | |
|----------------|---|
| Material | Carbon steel 37 |
| Finish | <ul style="list-style-type: none"> ➤ H.D.G.A.F ➤ Electro plated |
| TECHNICAL DATA | ➤ Applicable with c-channel size 40*20 & 40*40mm only |



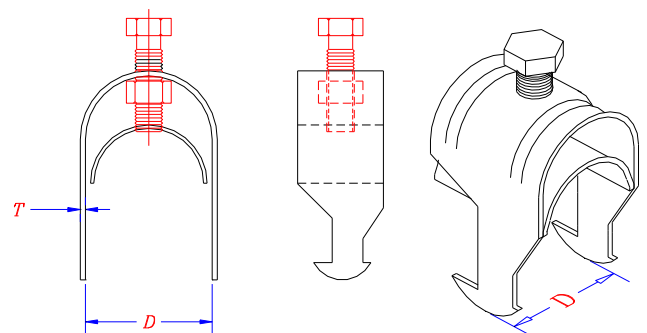
| Code | | Trade size | (W) | (T) | Bolt size |
|-----------|----------------|------------|-----|-----|-----------|
| H.D.G.A.F | Electro plated | | | | |
| B2HSSH19 | B2HSSP19 | 19 | 30 | 1.5 | M8X30 |
| B2HSSH25 | B2HSSP25 | 25 | 30 | 1.5 | M8X30 |
| B2HSSH32 | B2HSSP32 | 32 | 30 | 2 | M8X30 |
| B2HSSH38 | B2HSSP38 | 38 | 30 | 2 | M8X30 |
| B2HSSH50 | B2HSSP50 | 50 | 30 | 2 | M8X30 |
| B2HSSH63 | B2HSSP63 | 63 | 30 | 2 | M8X30 |
| B2HSSH65 | B2HSSP65 | 76 | 30 | 2 | M8X30 |
| B2HSSH75 | B2HSSP75 | 90 | 30 | 2 | M8X30 |
| B2HSSH90 | B2HSSP90 | 97 | 30 | 2 | M8X30 |
| B2HSSH105 | B2HSSP105 | 110 | 30 | 2 | M8X30 |



• Conduit & cable clamp

| | |
|----------------|---|
| Material | Carbon steel 37 |
| FINISH | ➤ Electro plated |
| TECHNICAL DATA | ➤ Applicable with c-channel size 30*15mm only |

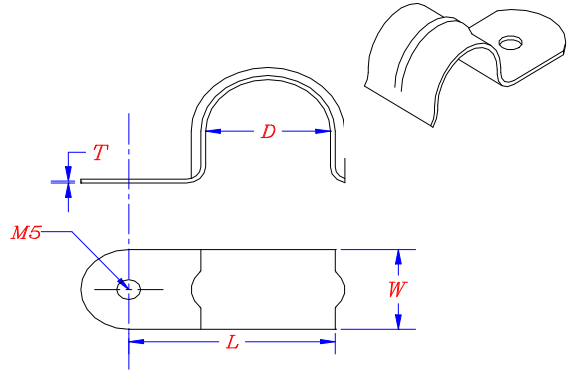
| Code | Trade size | D | T |
|-----------|------------|----|---|
| B2CCCSP19 | 19 | 19 | 1 |
| B2CCCSP25 | 25 | 25 | 1 |
| B2CCCSP32 | 32 | 32 | 1 |
| B2CCCSP38 | 38 | 38 | 1 |
| B2CCCSP50 | 50 | 50 | 1 |



• One hole steel strap

| | |
|----------|------------------|
| Material | Carbon steel 37 |
| FINISH | ➤ Electro plated |

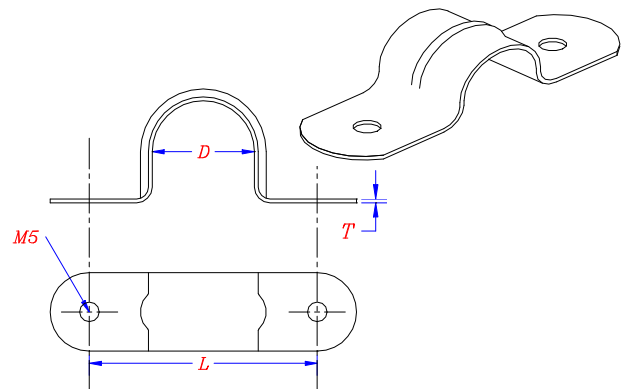
| Code | Trade size | D | W | T | L |
|----------|------------|----|----|---|----|
| B2OSSP19 | 19 | 19 | 20 | 1 | 33 |
| B2OSSP25 | 25 | 25 | 20 | 1 | 48 |
| B2OSSP32 | 32 | 32 | 20 | 1 | 52 |
| B2OSSP38 | 38 | 38 | 20 | 1 | 60 |
| B2OSSP50 | 50 | 50 | 20 | 1 | 70 |



• Two hole steel strap

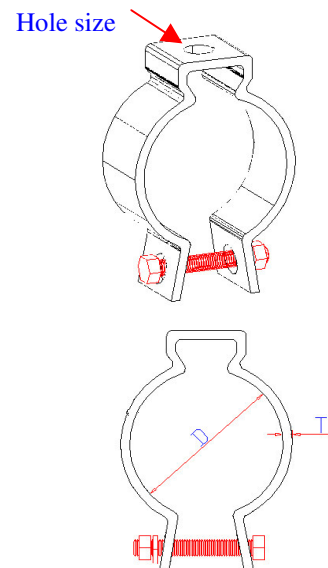
| | |
|----------|------------------|
| Material | Carbon steel 37 |
| FINISH | ➤ Electro plated |

| Code | Trade size | (D) | (W) | (T) | (L) |
|----------|------------|-----|-----|-----|-----|
| B2TSSP19 | 19 | 19 | 20 | 1 | 55 |
| B2TSSP25 | 25 | 25 | 20 | 1 | 63 |
| B2TSSP32 | 32 | 32 | 20 | 1 | 77 |
| B2TSSP38 | 38 | 38 | 20 | 1 | 80 |
| B2TSSP50 | 50 | 50 | 20 | 1 | 90 |



Conduit hangers with bolts NEW

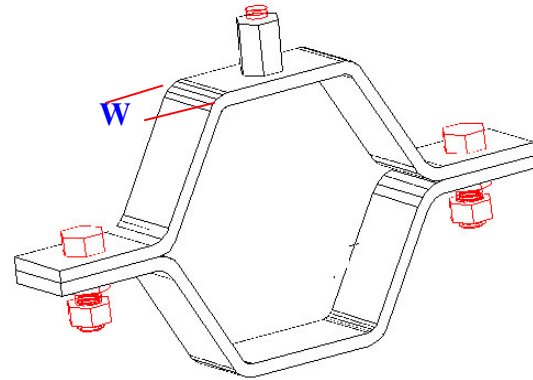
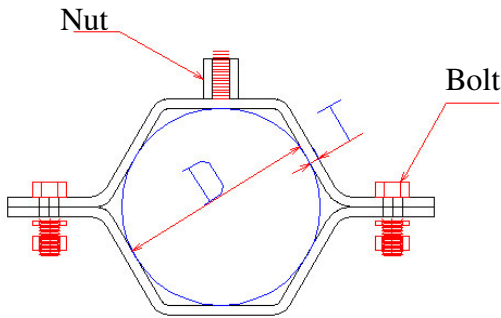
| Code | Pipe Trade Size | Thick (T) | Width (W) | Hole size | Bolt size |
|-----------|-----------------|-----------|-----------|-----------|-----------|
| B2CHSPB19 | 19 | 1.5 | 20 | 8 | M8X30 |
| B2CHSPB25 | 25 | 1.5 | 20 | 8 | M8X30 |
| B2CHSPB32 | 32 | 1.5 | 22 | 8 | M10X30 |
| B2CHSPB50 | 50 | 1.5 | 30 | 8 | M10X30 |





• Suspension Rod Pipe Clamp

| | |
|----------|---|
| Material | Carbon steel 37 |
| Finish | <ul style="list-style-type: none"> ➤ H.D.G.A.F ➤ Electro plated |



model (A) heavy duty

| Code | | Pipe Trade Size | Thick (T) | Width (W) | Bolt size | Nut Size |
|------------|----------------|-----------------|-----------|-----------|-----------|----------|
| H.D.G.A.F | Electro plated | | | | | |
| B2SCSHH101 | B2SCSPH101 | 25 | 3 | 25 | M10 | 8X20 |
| B2SCSHH102 | B2SCSPH102 | 38 | 3 | 25 | M10 | 8X20 |
| B2SCSHH103 | B2SCSPH103 | 50 | 3 | 25 | M10 | 10X20 |
| B2SCSHH104 | B2SCSPH104 | 76 | 6 | 32 | M12 | 10X20 |
| B2SCSHH105 | B2SCSPH105 | 104 | 6 | 32 | M12 | 10X20 |
| B2SCSHH106 | B2SCSPH106 | 125 | 6 | 32 | M12 | 10X20 |

model (B) light duty

| Code | | Pipe Trade Size | Thick (T) | Width (W) | Bolt size | Nut Size |
|------------|----------------|-----------------|-----------|-----------|-----------|----------|
| H.D.G.A.F | Electro plated | | | | | |
| B2SCSHH107 | B2SCSPH107 | 19 | 2 | 25 | M8 | 8X10 |
| B2SCSHH108 | B2SCSPH108 | 25 | 2 | 25 | M8 | 8X10 |
| B2SCSHH109 | B2SCSPH109 | 32 | 2 | 25 | M8 | 8X10 |
| B2SCSHH110 | B2SCSPH110 | 38 | 2 | 25 | M8 | 10X10 |
| B2SCSHH111 | B2SCSPH111 | 50 | 2 | 25 | M8 | 10X10 |



model (C)

| | |
|----------|---|
| Material | Carbon steel 37 |
| Finish | <ul style="list-style-type: none"> ➤ H.D.G.A.F ➤ Electro plated |

| Code | Trade size | Width (W) | Thick (T) | Bolt size | Hole size |
|------------|------------|-----------|-----------|-----------|-----------|
| B2SCSPC111 | 19 | 25 | 3 | M8X30 | 12 |
| B2SCSPC112 | 25 | 25 | 3 | M8X30 | 12 |
| B2SCSPC113 | 32 | 25 | 3 | M8X30 | 12 |
| B2SCSPC114 | 38 | 25 | 3 | M8X30 | 12 |
| B2SCSPC115 | 50 | 25 | 6 | M10X30 | 12 |
| B2SCSPC116 | 63 | 25 | 6 | M10X30 | 14 |
| B2SCSPC117 | 76 | 25 | 6 | M10X30 | 14 |
| B2SCSPC118 | 89 | 25 | 6 | M10X30 | 14 |
| B2SCSPC119 | 104 | 32 | 6 | M10X30 | 14 |

